

SB60x30-34-CF-xH-LC

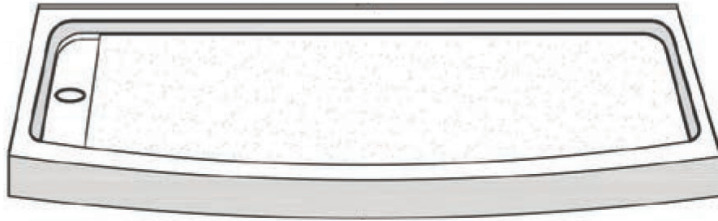
inches

60 X 30-34 CURVED FRONT SHOWER BASE WITH 4" TRENCH DRAIN IMI LITECAST™

Exterior Dimensions: 60W x 30-34D

Note: Base dimensions may vary +/- 1/8"

* Also available in IMI ProCast™



Material to be stacked on pallets.

DRAIN FINISHES

Solid Cover	Code
Brushed Stainless Steel	SS
Ornamental (Slotted)	OSS
Decorative (Perforated)	DSS
Powder Coated	W, MB

COLOR & TRIM OPTIONS

Standard Color	Code
White	SW

Optional Color	Code
Cream	SC
Ivory	SI
Warm White	WW

Additional custom colors available.



Cast Marble Solutions

FEATURES

- Fiberglass flange
- Left or right drain
- Solid one-piece construction
- Pre-leveled, rests on subfloor
- Mold and mildew resistant
- Bacteria resistant
- Textured, non-slip finish
- Abrasion resistant gelcoat surface

STANDARDS AND RATINGS

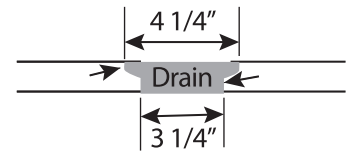
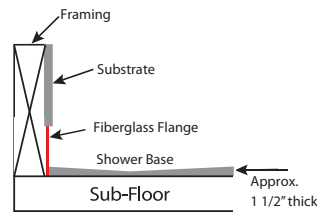
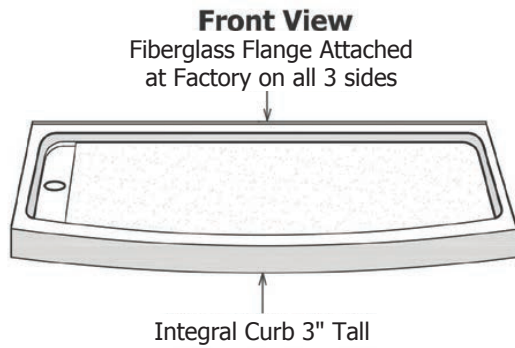
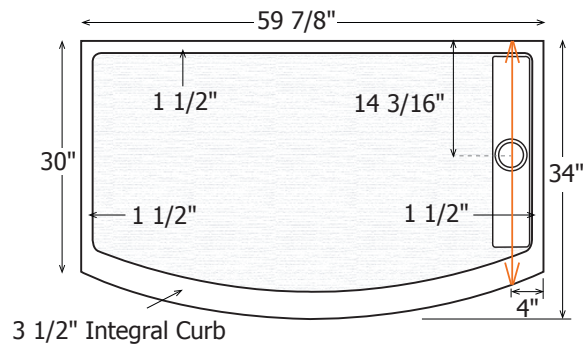
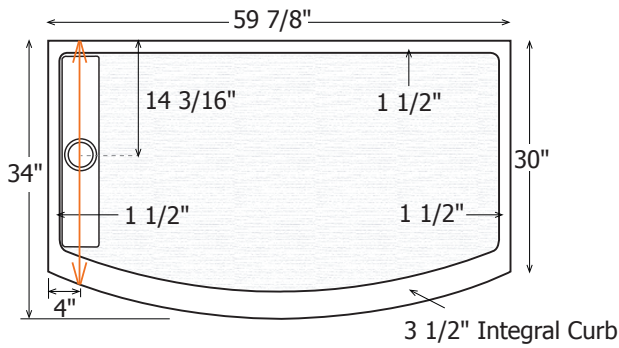
- Typical CSI Code: 22 42 23 (Div 22)
- ANSI
- ASTM (Fire Rating)
- MAS Certified Green

Code compliant when fully equipped and installed according to guidelines.



SB60x30-34-CF-xH-LC

60 X 30-34 CURVED FRONT SHOWER BASE WITH 4" TRENCH DRAIN
IMI LITECAST™



Left Hand Drain Shown. Left & Right Hand Drain Available.

FEATURES Dimensional Tolerance $\pm 1/8"$. Dimensions needed for site preparation should be measured from the unit. American Bath Group assumes no responsibility for preparatory work.

Type and Model #	Material	Shower Base	Pieces
Shower Base #SB60x30-34-CF-xH-LC	Cast Marble	Anti-Slip/Textured Finish	1

DIMENSIONS

Specifications	inches
Shower Base Depth:	30-34
Shower Base Width:	60
Curb Height:	3
Curb Width:	3 1/2

Rev. 03.16.21