



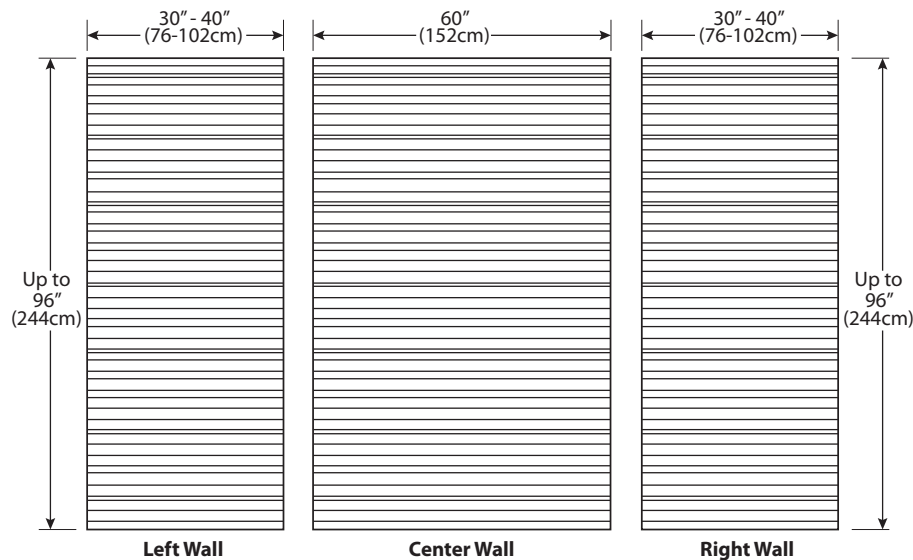
# Standard 3 Piece Tub/Shower Surround Installation Instructions - Extending to the Ceiling

**These instructions apply to all standard IMI 3 piece Tub/Shower Surrounds where the surrounds extend to the ceiling and each wall is manufactured in one piece.**

- If your project requires the back or sidewalls to be manufactured in more than one piece per wall, please use the instructions labeled "Large wall seaming instructions." These instances will occur, only when your back wall is larger than 60" wide, or any of the walls are more than 96" tall. The largest surround IMI manufactures in one piece is 60" x 96".
- If your project is using surrounds that will not extend to the ceiling, please refer to the instructions labeled "Standard 3 Piece Installation Instructions – Not extending to the ceiling."

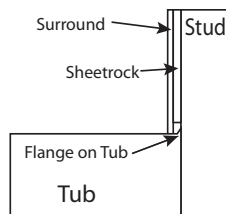
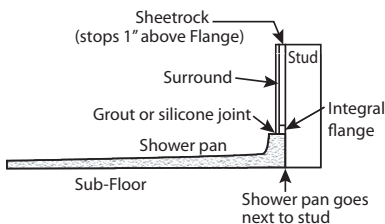
Prior to starting the installation, please read the notes below. They will help you plan your installation and avoid unnecessary breakage during the installation. Breakage due to handling or installing is the responsibility of the installer and is not covered under the IMI Warranty.

### Example:

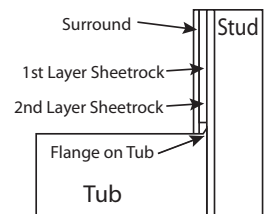
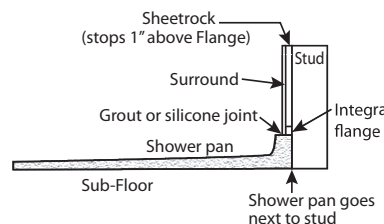


1. The tub or shower pan should always be set in place, prior to the wall substrate being installed. The tubs and shower pans have a flange attached to help prevent the possibility of a leak. The wall substrate should at least cover the thickness of the flange so the surround system will install flush against the wall and should never cause the surrounds to bow out around the bottom, when they come in contact with the flange. If the flanges are not completely covered, an additional piece of wall substrate should be added, to allow the surrounds to install properly.

### Tub & Shower Installation for Non Fire Rated Walls

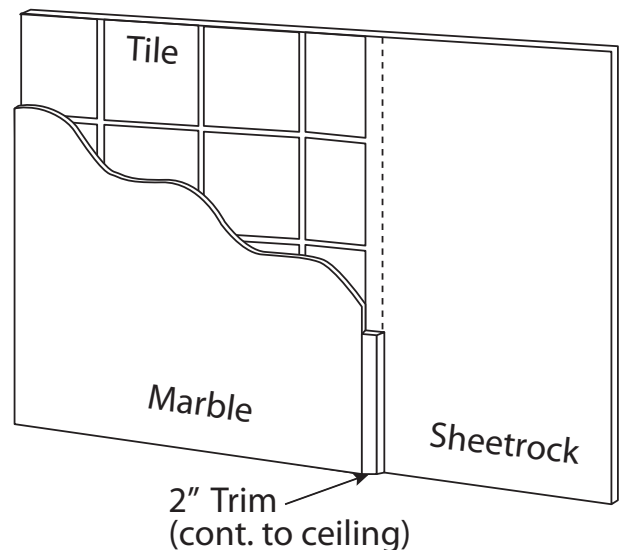


### Tub & Shower Installation for Fire Rated Walls



2. Handling cultured marble surrounds in extremely cold temperatures requires extreme caution, as the surrounds are more fragile in extremely cold temperatures. When possible, store all material in a heated area at least 24 hours prior to being handled for installation.
3. If you are planning to install grab bars, blocking should always be placed in the desired location prior to the wall substrate being installed. Once the IMI surround is installed, all screw holes should then be predrilled through the IMI surround, so the screw can pass freely through the surround and into the blocking. The holes should be drilled slightly larger than the screw, to avoid any part of the threads coming in contact with the surround. The surrounds are not designed to support the tension placed on the bar. You should also tighten all screws with caution. The surrounds can be cracked or broken if the screws are over tightened.
4. If you are installing a IMI Tub/Shower Surrounds that has a tile pattern, please follow all instructions closely. The installation process is explained in detail in this document. The grout joints will not align from wall to wall unless they are installed exactly as instructed. This is the single item that creates the largest number of installation customer satisfaction issues and may require the purchase of additional product. In ALL cases, where the joints are misaligned, the material was installed in a manner other than the one explained in this document. **In order to install the surrounds correctly, you will generally need to cut the surrounds on all sides.**
5. If you are planning to install the IMI Tub/Shower Surrounds over existing tile, make sure the tile is free of mold and mildew and that all tiles are still well adhered to the substrate. You should then follow all standard instructions for cutting and installing, with the exception of the adhesive to be used. **When installing against existing tile, use only 100% Silicone.** The Silicone will provide better adhesion to the tile than construction adhesive.

Panels are finished on one side depending on the panel.  
Please check the back of the panels for the mark indicating the side and the top.  
(LH (left hand), RH (right hand), or BW (back wall) on the backs of the panels.)



#### Materials/Tools Needed:

- Circular Saw / with a masonry blade
- Drill
- Various drill bit sizes
- Hole Saw for drilling of plumbing fixtures. IMI recommends a Diamond Hole Saw. 1 1/4" and 4" is the most common size, but size will vary according to specific job requirements. <http://www.drponline.net/4-diamond-hole-saw.aspx>
- Saw Horses
- 2x4's to place on top of the saw horses to support surrounds being cut or drilled.
- Measuring tape
- Pencil to make measurements on the front of the surrounds for measurement and installation purposes. The pencil marks can be removed with acetone once surround is installed.
- 4' Level
- Hot Glue Gun (Commercial quality)
- 15" Glue Sticks (Commercial quality)
- Sandpaper (80 Grit for sanding a slight bevel on all cut edges. This will soften the edge and eliminate chipping the finish during the installation)
- Dry / Clean rags
- Construction Adhesive for applying surrounds to the substrate / normally drywall.
- 100% Silicone for applying the surrounds to existing tile and for all surround to surround and surround to tub or pan seams
- Latex Caulking for all ends where the surrounds are caulked to drywall or the ceiling.
- Acetone for various cleanup requirements.

1. Check to see that the Tub / Shower Pan is level from front to back and side to side. The maximum tolerance is +/- 1/4". If the Tub / Pan is over 1/4" out of level in any direction, you should notify the customer before moving forward with the installation.
2. **Establishing Control Lines:** You will first establish a horizontal control line (CL). This line will be used throughout the installation to make sure your surrounds fit as designed. To start, if installing a Tub / Shower Surrounds, measure from the bottom of the back surround to the **center of the grout line** closest to 60". If installing a tub surround, measure up to the grout line closest to 48". Once you find the measurement, you will need to **subtract 1/2" from that measurement**. This 1/2" is for adjustment.

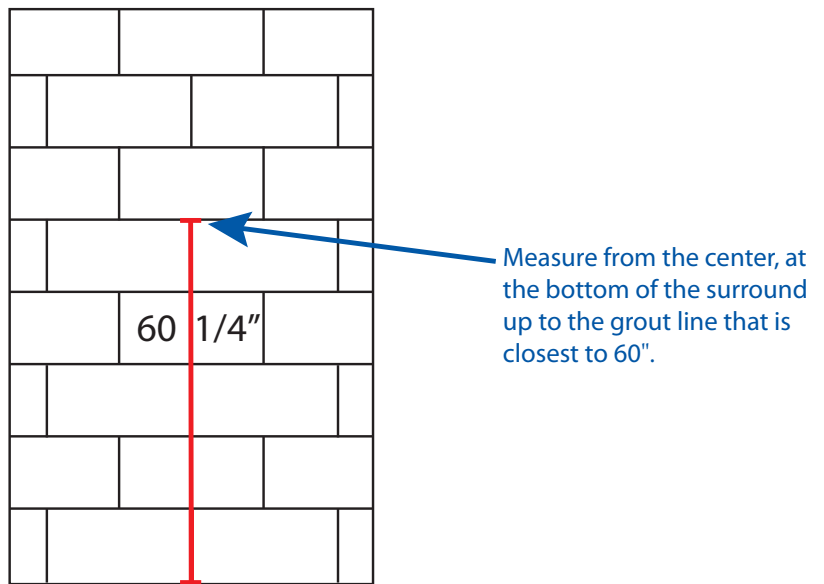
**EX:** If your grout line on your shower surround is 60 1/4" up from the bottom, you will subtract 1/2". This will give you a measurement of 59 3/4") Once you have established this measurement, you will measure up from the center of the installed pan and mark the wall at the determined location. In the example listed below you would place a mark at 59 3/4".

Once you place a mark, you will use your 4' level to draw a level line across the back wall. This line will now be referred to as your control line (CL).

Note: If you are installing a tub surround, follow the same steps, but you will be locating the center of the grout line closest to 48" from the bottom center of the back surround, also subtracting 1/2" so that a CL can be established.

**Example:**

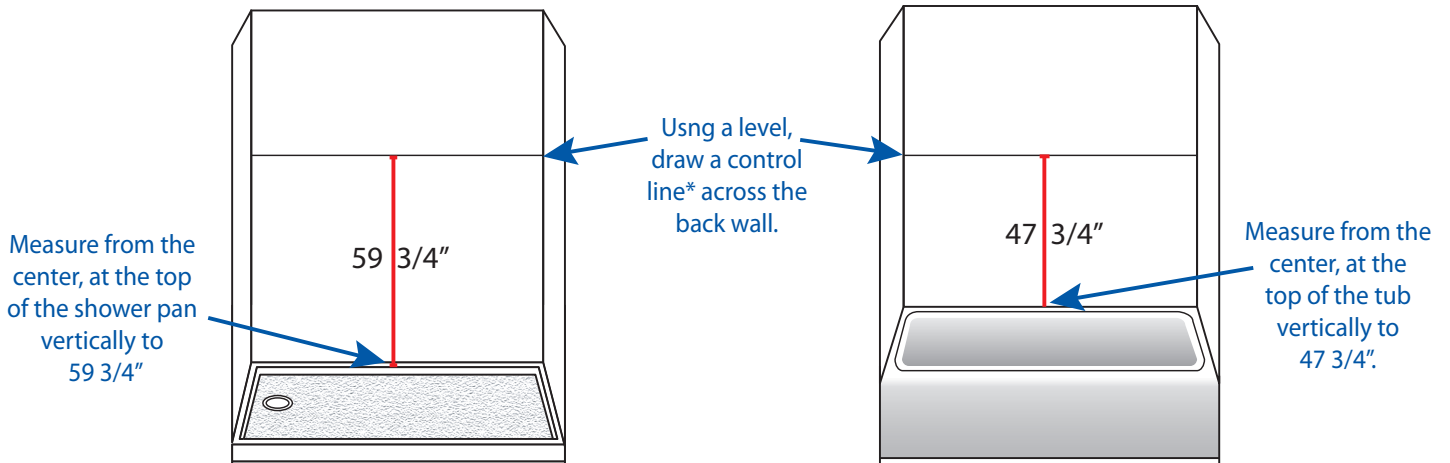
The grout line closest to 60" for a TS-CS/12x24 Surround System for a shower measures 60 1/4" from the bottom of the surround.



Take the grout line measurement you took on the Tub / Shower Surround and subtract a half inch :  $60 \frac{1}{4} - \frac{1}{2} = 59 \frac{3}{4}$ ". Measure from the top of the shower pan, at the center, going vertically measure up to 59 3/4" and mark. Using a level draw your control line across the back wall.

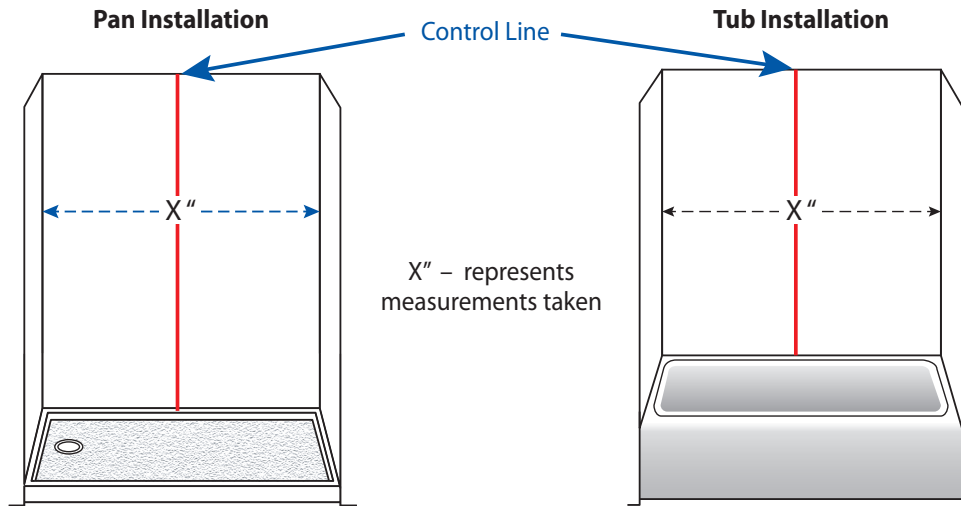
**Pan Installation**

**Tub Installation**

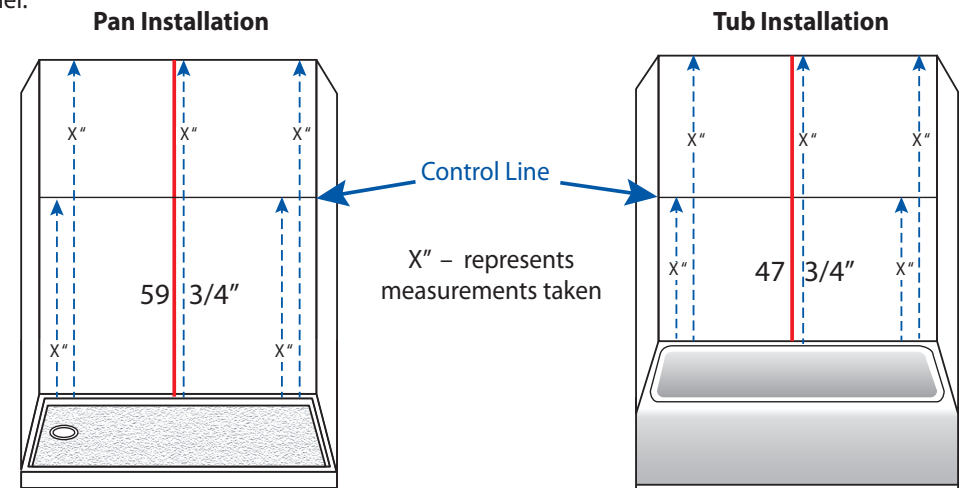


**\*Remember to subtract 1/2" for tolerance before marking your control line.**

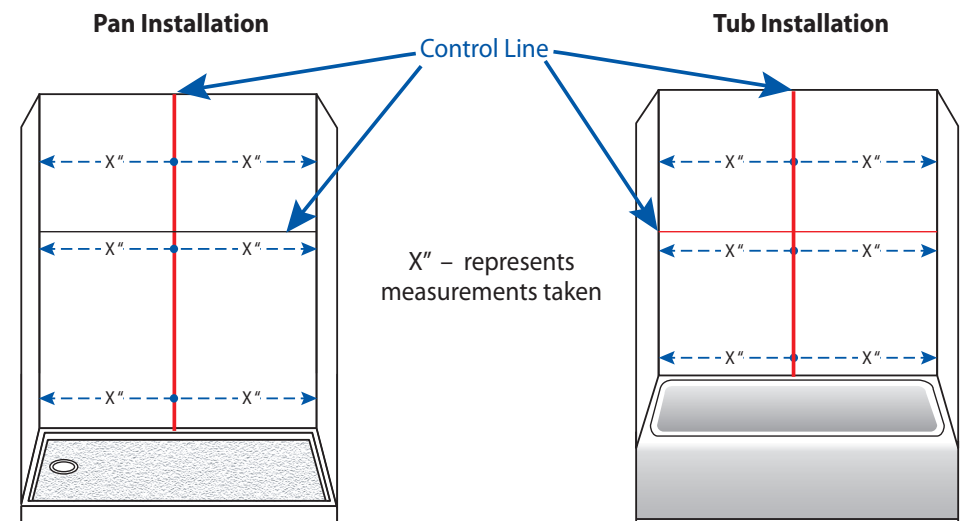
Now that the horizontal control line has been established, you will mark your vertical CL. To establish the vertical lines, you will measure (at the same height as your horizontal CL) to the center of your back wall from left to right and mark the center. Once you mark the center, use your level and draw a plum line, down the center of the wall from the top of the pan / tub to the ceiling. You will also use your level to draw a plum line from the pan / tub to the ceiling at the left and right, front edge of the tub / pan. This CL will establish where your side surrounds will end.



3. **Cutting the back surround to fit:** Using your CL as your guide, you will measure from the top of the shower pan / tub up to the CL on the back wall on the left side, right side, and middle. You will also measure from the top of the shower pan / tub to the ceiling in the same three locations. Always cut the panels from the top (color side) using a diamond circular blade cutting down on the panel.

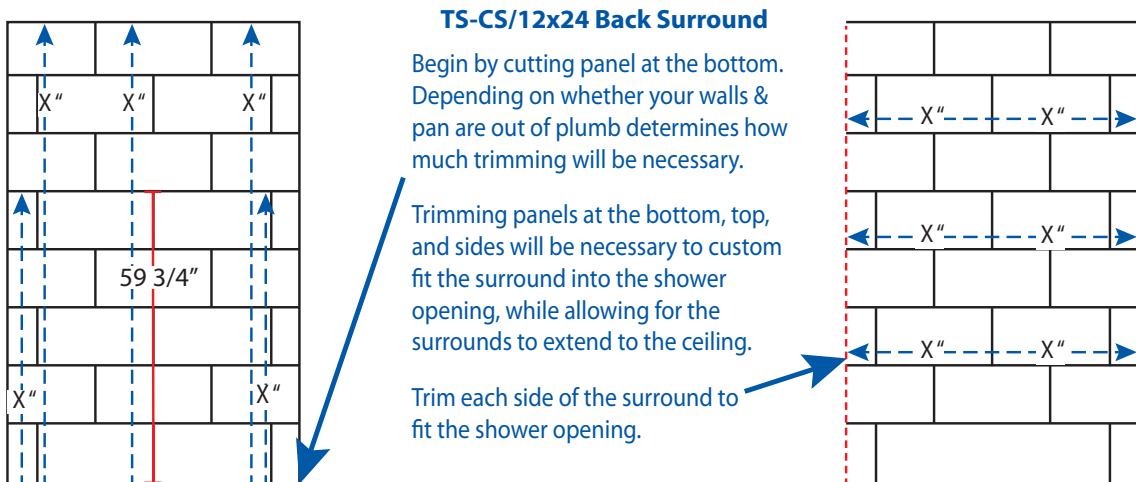


You will now use your vertical CL to establish the width. You will measure from the top, bottom, and middle, on both the left side and the right side of the vertical CL.



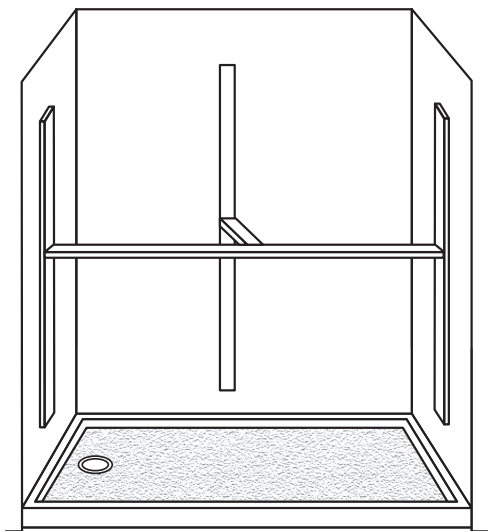
Now that you have established all of the measurements, you will **transfer the measurements to the front side** of the back surround. Use the grout line where the CL line was obtained in step 2 that measures closest to 60" for a shower and 48" for a tub. It will be easy to transfer all of your established points using this grout line as your CL. First, you should measure from the CL down and place a mark at each established point. Then take a straight edge and pencil to connect the dots. **Then measure from the line just created (and not from the bottom of the surround) up to the top of the surround** and place a mark at each established point. Then take a straight edge and pencil to connect the dots. Once all measurements are established, you should check all measurements. Now that you have verified that all measurements are correct and transferred correctly, you are ready to cut the surround. To cut the surround, first make sure the surround is well supported by 2x4's, placed on the saw horses. Once the surround is supported cut along the established lines using a circular saw with a masonry blade. If you are cutting off more than 1/2" of material, make sure to support the material that is being removed to avoid the material breaking off before the cut has been completed. If the material breaks or snaps before the cut is complete, it could break into the surround, causing the surround to be unusable.

**Example:**



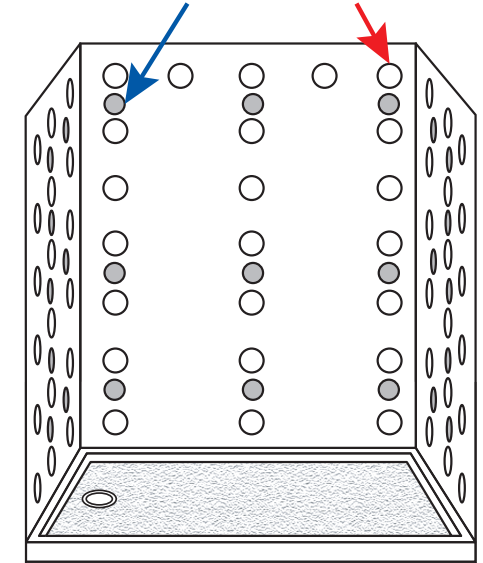
**4. Installing the surround:** When possible, dry fit the surrounds to make sure of a proper fit, before applying adhesive to the wall. Once you confirm the fit, you will need to wipe down both the wall and back, unfinished side of the surround with acetone to make sure both are free of dust and debris. Then apply a generous amount of adhesive in heavy circles as illustrated. If you are using large tubes, the back wall should require 1 and each sidewall should require 1/2 tube of adhesive each. The amount of adhesive suggested is based on a normal installation with smooth, flat walls. Site conditions could require additional adhesive. Once the adhesive is applied to the wall, you may put the surround in place, firmly pressing into the wall to distribute the adhesive. Once the surround is installed, add bracing in place as illustrated, or where necessary, to firmly hold the surround in place, allowing the adhesive to dry.

**Bracing Example for Panels**



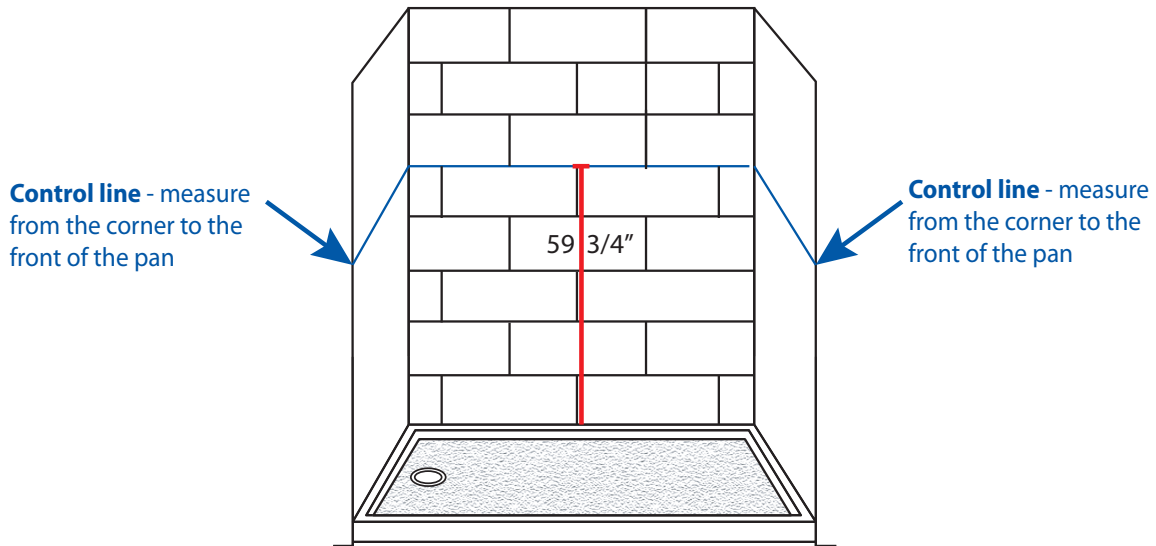
**Surround Adhesive Application**

100% silicone      construction adhesive



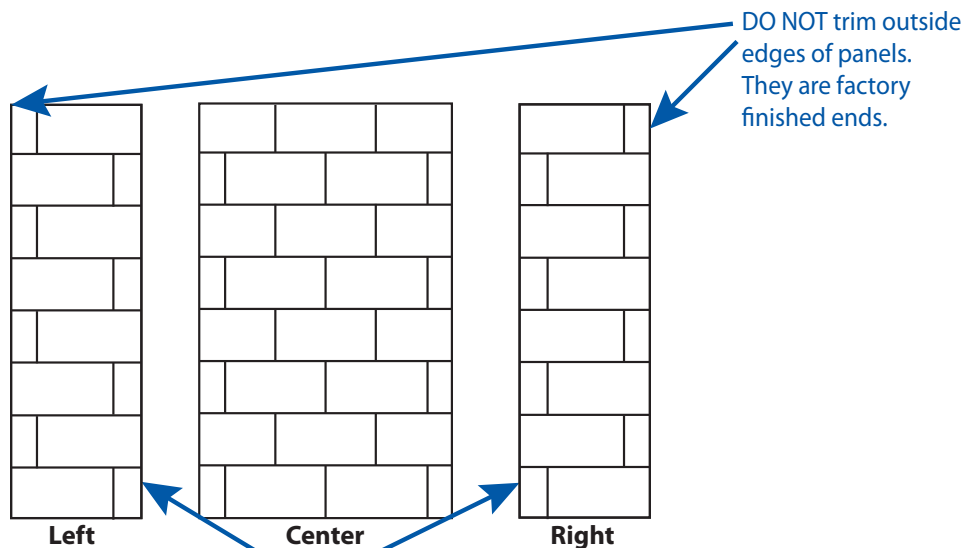
5. **Cutting the side surrounds to fit:** The side surround measurements will be collected in the same manner as the back surround. To obtain the CL for the side surrounds, place your level at the center of the grout line that lined up with the CL on the back wall when the back surround was installed. Draw your control line out from the corner of the shower to the front of the shower pan on both of the side walls.

**NOTE:** If installing trim, install before installing side panels. See note at end of instructions.



You will measure from the top of the shower pan / tub to the CL on the left side, right side, and middle. And again from the top of the shower pan / tub to the ceiling in the same three locations. Once you have established the measurements, you will again transfer a line across the front of the surround, using the same grout line that corresponds with the back surround. Once this line is established, you will transfer all of your measurements. However, the width of the side surrounds will not need to be cut along the front (finished) edge, as this will be a straight, plum line, and the surrounds have a factory finished edge. **Do not remove the factory, finished end.** Once the surrounds have been cut to fit, you will need to locate all plumbing fixtures and drill the corresponding holes in the surround. To locate these holes, measure up from the edge of the tub / pan, and over from the finished edge of the side surround, to the center of the installed fixture and transfer those measurement onto the surround. Determine the size hole to be drilled and carefully drill the hole in the specified location.

**Note: Do not put extreme pressure on the drill, as you may break the surround as the bit completes the hole.** You will typically be required to drill one hole for the shower control valve and one hole for the showerhead.



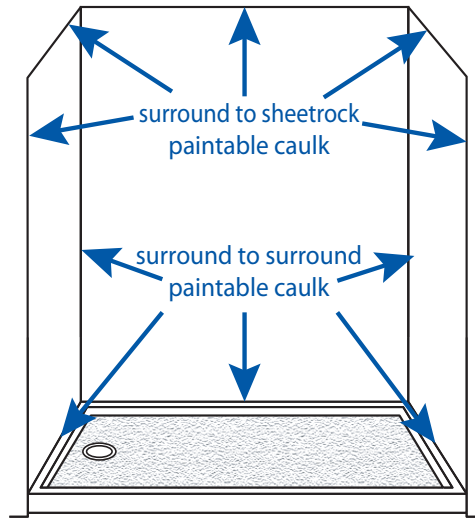
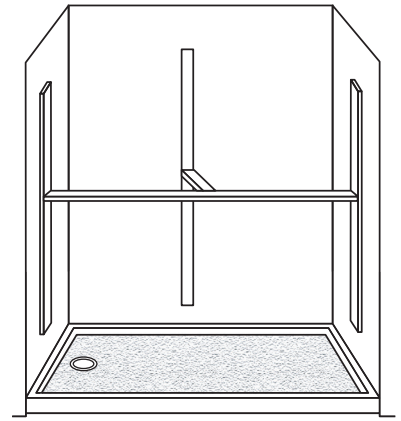
Measure from the outside of the surrounds to the inside. Trim side panels from the inside edge where they will butt up to the back wall of the shower. Trim the bottom of the surrounds as needed.

6. **Installing the side surrounds:** The side surrounds will install in the same method used to install the back surround. Refer to section #4 for instructions.

7. **Bracing the installed surrounds:** Once all surrounds have been installed, they should be braced as illustrated, or where necessary, to make sure the surrounds remain in place while the adhesive cures. While our illustration shows simple bracing, additional bracing may be required based on job site wall conditions. While the braces should hold firmly against the surrounds, excessive pressure could damage or crack the surrounds. Use caution when placing the bracing.

8. Install soap dishes on surrounds. If using cast marble, ceramic or chrome plated wire soap dishes, shampoo shelves or foot rests, see separate instructions for these.

9. After the adhesive has had time to dry (24 hours), remove the bracing and caulk all of the joints where marble touches marble or the tub with 100% silicone that closely matches the color of the marble. Caulk the cast marble surround to the substrate with paintable latex caulk.



**Note:** While the instructions above are very detailed, the installation will become simple, after several surrounds have been installed. If the directions are followed, you and your customer will be very proud of the final installation and all grout joints will align as designed. If the specified grout line centers the CL as explained, all surrounds will line up perfectly at eye level.

\* **If Installing Trim:** Install trim, using 100% silicone and hot glue, before installing side surrounds and make sure trim is level, measuring from the tops of the surrounds to the floor (if applicable).

