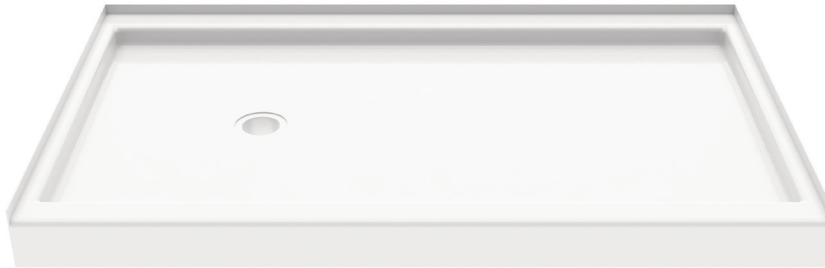


SB60x36-OS-xH-LC

All dimensions shown in inches

60 X 36 SHOWER BASE WITH STANDARD LH OR RH OFFSET DRAIN
IMI LITECAST™

Note: Base dimensions may vary +/- 1/4"



FEATURES

- Available in left-hand or right-hand version
- Fiberglass flange
- 3" wide thresholds on front
- Solid one-piece construction
- Pre-leveled, rests on subfloor
- Mold and mildew resistant
- Bacteria resistant
- "Grout-free" and non-porous
- Stain resistant and easy to clean
- Waterproof and leakproof

STANDARDS AND RATINGS

- Typical CSI Code: 22 42 23 (Div 22)
- ANSI (Optional)
- MAS Certified Green

Code compliant when fully equipped and installed according to guidelines.

Material to be stacked on pallets.



Cast Marble Solutions



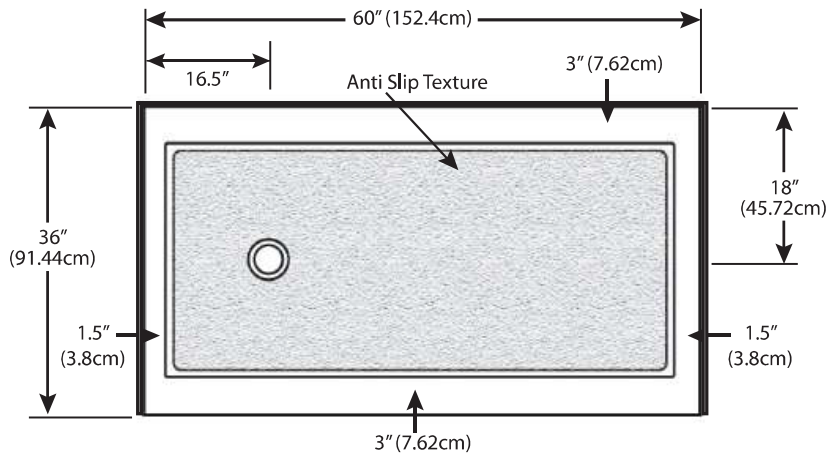
ABG HOSPITALITY

imitoday.com

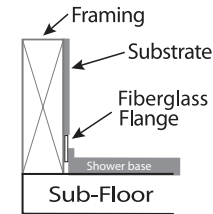
SB60x36-OS-xH-LC

54 X 30 SHOWER BASE WITH STANDARD LH OR RH OFFSET DRAIN
IMI LITECAST™

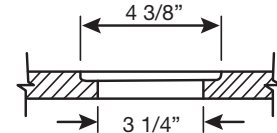
Top View



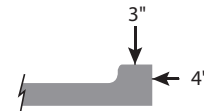
Flange Details: (U.S.)



Drain Details: (U.S.)



Side View of Curb



FEATURES Dimensional Tolerance $\pm 1/4"$. Dimensions needed for site preparation should be measured from the unit. American Bath Group assumes no responsibility for preparatory work.

Type and Model #	Material	Shower Base	Pieces
Shower Base #SB60x36-OS-xH-LC	Cast Marble	Anti-Slip/Textured Finish	1

DIMENSIONS

Specifications	inches
Shower Base Depth:	29 3/4
Shower Base Width:	53 3/4
Curb Height:	3

Suggested Drains:



Solvent Weld type fitting similar to Oatey Part No. 42097



Compression type "No-Caulk" fitting similar to Oatey Part No. 42099

Rev. 03.28.24