

# SB72x34-4TD-xH-LC

inches

## 72 X 34 LH OR RH SHOWER BASE WITH 4" TRENCH DRAIN IMI LITECAST™

Exterior Dimensions: 72W x 34D

Note: Base dimensions may vary +/- 1/4"

\* Also available in IMI ProCast™



Material to be stacked on pallets.

### DRAIN FINISHES

| Solid Cover             | Code  |
|-------------------------|-------|
| Brushed Stainless Steel | SS    |
| Ornamental (Slotted)    | OSS   |
| Decorative (Perforated) | DSS   |
| Powder Coated           | W, MB |

### COLOR & TRIM OPTIONS

| Standard Color | Code |
|----------------|------|
| White          | SW   |

| Optional Color | Code |
|----------------|------|
| Cream          | SC   |
| Ivory          | SI   |
| Warm White     | WW   |

Additional custom colors available.



Cast Marble Solutions



ABG HOSPITALITY

## FEATURES

- Fiberglass Flange
- Left or right drain
- Pre-sloped to drain
- Solid one-piece construction
- Pre-leveled, rests on subfloor
- Mold and mildew resistant
- Bacteria resistant
- "Grout-free" and non-porous
- Stain resistant and easy to clean
- Waterproof and leakproof

## STANDARDS AND RATINGS

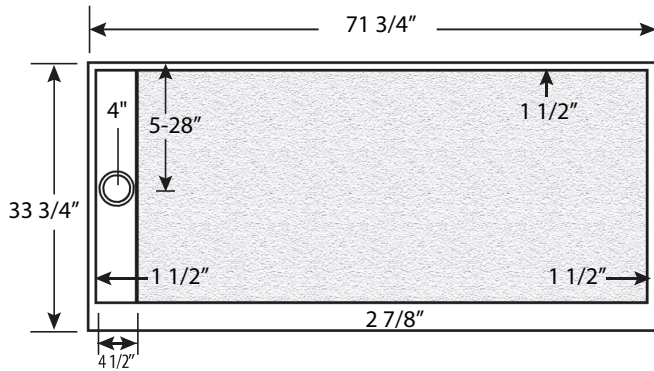
- Typical CSI Code: 22 42 23 (Div 22)
- ANSI
- ASTM (Fire Rating)
- MAS Certified Green

Code compliant when fully equipped and installed according to guidelines.

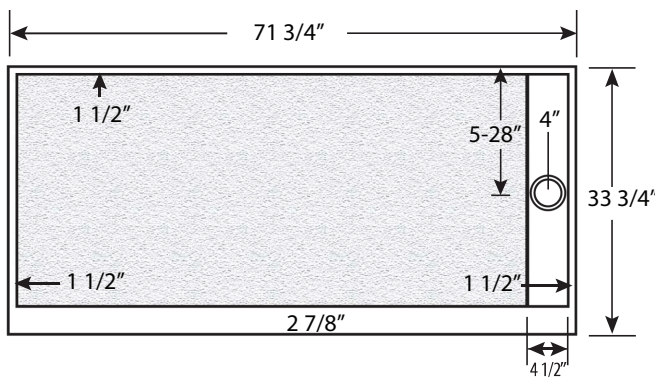
# SB72x34-4TD-xH-LC

72 X 34 LH OR RH SHOWER BASE WITH 4" TRENCH DRAIN  
IMI LITECAST™

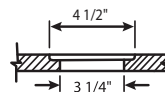
**Top View - Left Drain**



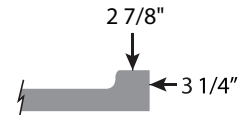
**Top View - Right Drain**



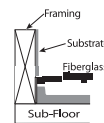
**Drain Details: (U.S.)**



**Side View of Curb**



**Flange Details: (U.S.)**



**Drain Cover**



**FEATURES** Dimensional Tolerance  $\pm 1/4"$ . Dimensions needed for site preparation should be measured from the unit. American Bath Group assumes no responsibility for preparatory work.

| Type and Model #               | Material    | Shower Base               | Pieces |
|--------------------------------|-------------|---------------------------|--------|
| Shower Base #SB72x34-4TD-xH-LC | Cast Marble | Anti-Slip/Textured Finish | 1      |

**DIMENSIONS**

| Specifications     | inches |
|--------------------|--------|
| Shower Base Depth: | 33 3/4 |
| Shower Base Width: | 71 3/4 |
| Curb Height:       | 3 1/4  |
| Curb Width:        | 2 7/8  |

**Suggested Drains:**



Solvent Weld type fitting similar to Oatey Part No. 42097



Compression type "No-Caulk" fitting similar to Oatey Part No. 42099

Rev. 11.08.23