

SB60x36-8TD-xH-LC

inches

60 X 36 SHOWER BASE WITH 8" TRENCH DRAIN IMI LITECAST™

Exterior Dimensions: 60W x 36D

Note: Base dimensions may vary +/- 1/4"

* Also available in IMI ProCast™



Material to be stacked on pallets.

DRAIN FINISHES

Solid Cover	Code
Brushed Stainless Steel	SS
Ornamental (Slotted)	OSS
Decorative (Perforated)	DSS
Powder Coated	W, MB

COLOR & TRIM OPTIONS

Standard Color	Code
White	SW

Optional Color	Code
Cream	SC
Ivory	SI
Warm White	WW

Additional custom colors available.



Cast Marble Solutions

FEATURES

- Available in Left Hand and Right Hand version
- Fiberglass flange
- 1 7/8" wide thresholds on back and sides
- Solid one-piece construction
- Pre-leveled, rests on subfloor
- Mold and mildew resistant
- Bacteria resistant
- "Grout-free" and non-porous
- Stain resistant and easy to clean
- Waterproof and leakproof

STANDARDS AND RATINGS

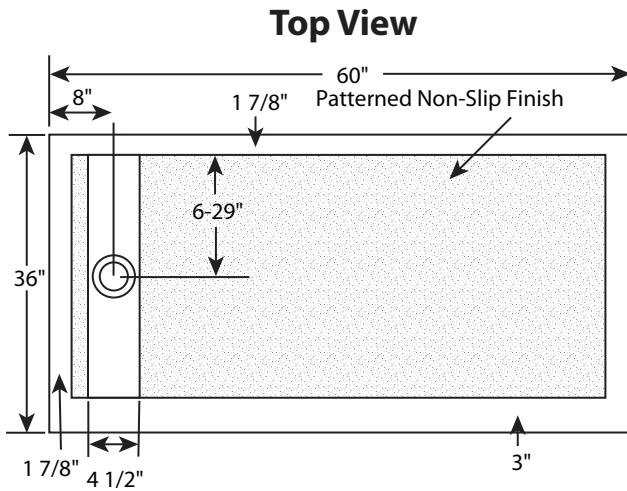
- Typical CSI Code: 22 42 23 (Div 22)
- ANSI
- ASTM (Fire Rating)
- MAS Certified Green

Code compliant when fully equipped and installed according to guidelines.

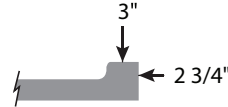


SB60x36-8TD-xH-LC

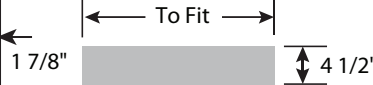
60 X 36 SHOWER BASE WITH 8" TRENCH DRAIN
IMI LITECAST™



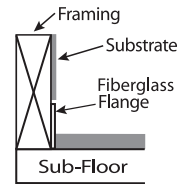
Side View of Curb



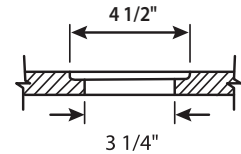
Drain Cover



Flange Details: (U.S.)



Drain Details: (U.S.)



FEATURES Dimensional Tolerance $\pm 1/4"$. Dimensions needed for site preparation should be measured from the unit. American Bath Group assumes no responsibility for preparatory work.

Type and Model #	Material	Shower Base	Pieces
Shower Base #SB60x36-8TD-xH-LC	Cast Marble	Anti-Slip/Textured Finish	1

DIMENSIONS

Specifications	inches
Shower Base Depth:	36
Shower Base Width:	60
Curb Height:	2 3/4
Curb Width:	3

Suggested Drains:



Solvent Weld type fitting similar to Oatey Part No. 42097



Compression type "No-Caulk" fitting similar to Oatey Part No. 42099

Rev. 02.22.24