

BARN DOORS



BARN DOORS



FIJI BD-STR-M-FJ		GRANADA BD-STR-GNDA		PALAWAN BD – PSC-PLWN	
Std width: 36" to 38 1/2"	ADA width: 42"	Std width: 36" to 38 1/2"	ADA width: 42"	Std width: 36" to 44"	ADA width: 42"
Std height: 78" to 85"	ADA height: 80"	Std height: 78" to 85"	ADA height: 80"	Std height: 80" to 85"	ADA height: 80"



MALTA BD-FSC-MLTA		MALTA BD-FSC-MLTA		SANTORINI BD-WV-PG-STNI	
Std width: 36" to 38 1/2"	ADA width: 42"	Std width: 36" to 38 1/2"	ADA width: 42"	Standard width: 36" to 38 1/2"	ADA width: 42"
Std height: 78" to 85"	ADA height: 80"	Std height: 78" to 85"	ADA height: 80"	Standard height: 78" to 85"	ADA height: 80"

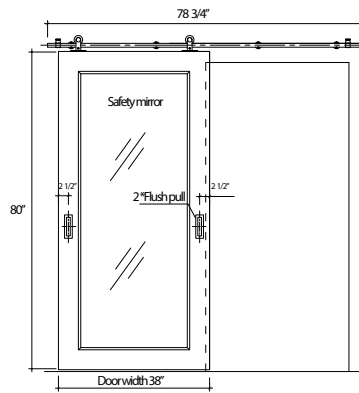


SEREN
BD-GD-SRN

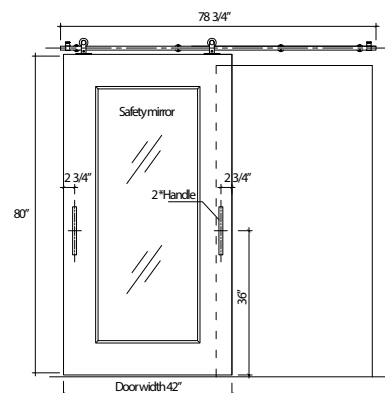
Std width: 32" to 36"
Std height: 84" to 95"

TECHNICAL SPECIFICATIONS

- DIMENSIONS:
 - Standard width: 36" to 38 1/2" ADA width: 42"
 - Standard height: 78" to 85" ADA height: 80"
- THICKNESS:
 - 1 3/4" or 1 3/8"
- MATERIAL:
 - MDF core + LVL skeleton
- DOOR DESIGN:
 - Single panel door with mirror on foyer side
- MIRROR:
 - 1/4" Thick safety-backed mirror with 1/2" bevel (foyer side)
- DOOR EDGE:
 - LVL Edge-banding for strong screw holding
- BARN DOOR TRACK:
 - Stainless steel customized top hung barn door hanger with tube track
 - *Soft close standard
- PULL AND HANDLE:
 - Stainless steel flush pull (Standard)
 - Stainless steel bar handle (ADA)
 - Customized options available
- LEAD TIME:
 - 16 weeks
- WARRANTY:
 - 3 years



Front View Standard

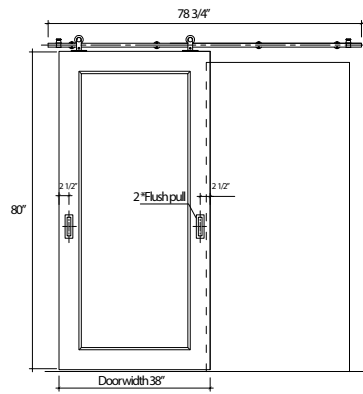


Front View ADA

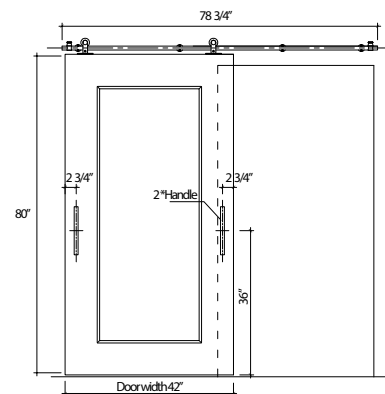


TECHNICAL SPECIFICATIONS

- **DIMENSIONS:**
Standard width: 36" to 38 1/2" ADA width: 42"
Standard height: 78" to 85" ADA height: 80"
- **THICKNESS:**
1 3/4" or 1 3/8"
- **FINISH:**
Available in other colors upon request
- **DOOR DESIGN:**
One panel stile and rail door without mirror
- **BARN DOOR TRACK:**
Stainless steel customized top hung barn door hanger with tube track.
*Soft close standard
- **PULL AND HANDLE:**
Stainless steel flush pull (Standard)
Stainless steel bar handle (ADA)
Customized options available
- **LEAD TIME:**
16 weeks
- **WARRANTY:**
3 years



Front View Standard



Front View ADA

FEATURES: Dimensional Tolerance $\pm 1/4"$. Dimensions needed for site preparation should be measured from the unit. American Bath Group assumes no responsibility for preparatory work.

SLIDING BARN DOOR
WALL MOUNTED

TECHNICAL SPECIFICATIONS

- DIMENSIONS:

Standard width: 36" to 44"	ADA width: 42"
Standard height: 80" to 85"	ADA height: 80"
- THICKNESS:

1 3/4" or 1 3/8"
- MATERIAL:

Solid core
- FINISH:

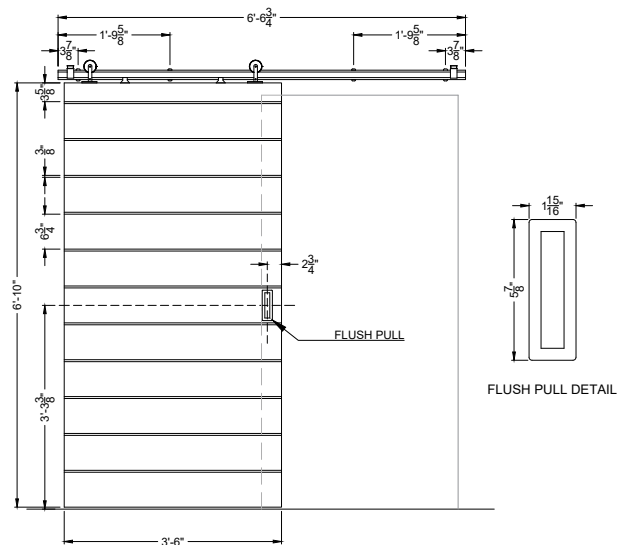
Painted, laminated, & stained finishes available
*Other colors available upon request
- BARN DOOR TRACK:

Top mounted or wall mounted sliding track available
Soft close standard
- PULL AND HANDLE:

Stainless steel flush pull (Standard)
Stainless steel bar handle (ADA)
*privacy lock available as an option
- LEAD TIME:

16 weeks
- WARRANTY:

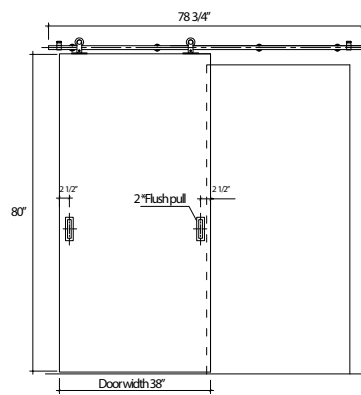
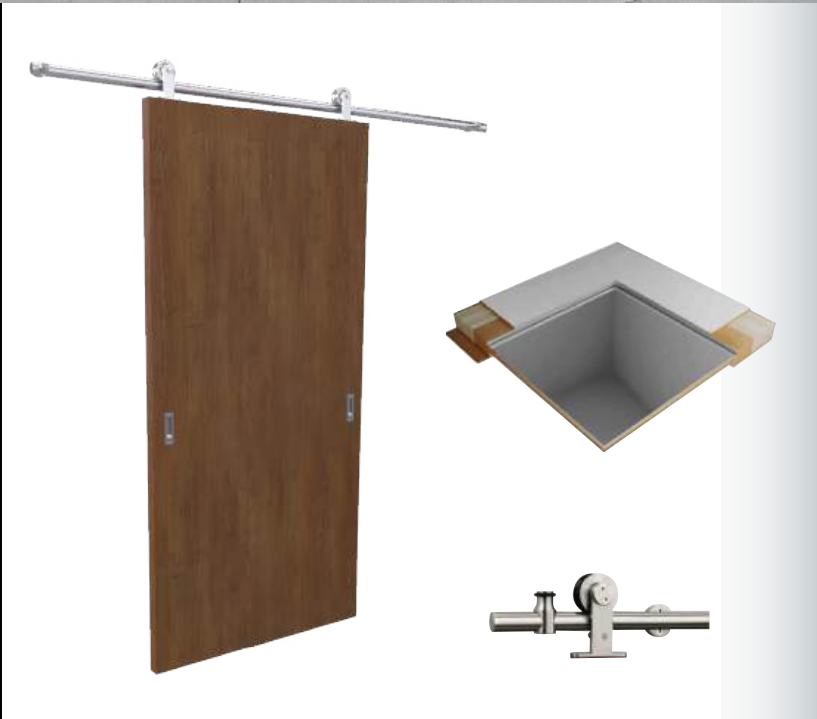
3 years



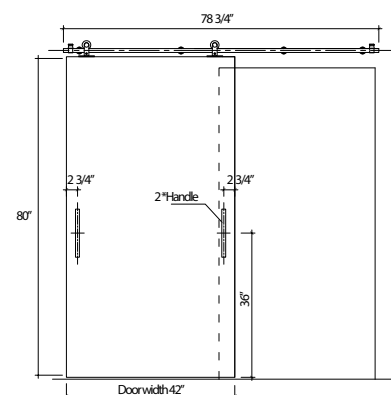
Front View

TECHNICAL SPECIFICATIONS

- **DIMENSIONS:**
Standard width: 36" to 38 1/2" ADA width: 42"
Standard height: 78" to 85" ADA height: 80"
- **THICKNESS:**
1 3/4" or 1 3/8"
- **MATERIAL:**
Solid core
- **FINISH:**
Painted, laminated, & stained finishes available
*Other colors available upon request
- **DOOR DESIGN:**
Flush Door
- **BARN DOOR TRACK:**
Stainless steel customized top hung barn door hanger with tube track.
*Soft close standard
- **PULL AND HANDLE:**
Stainless steel flush pull (Standard)
Stainless steel bar handle (ADA)
- **LEAD TIME:**
16 weeks
- **WARRANTY:**
3 years



Front View Standard

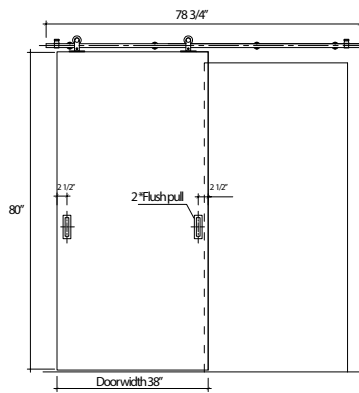


Front View ADA

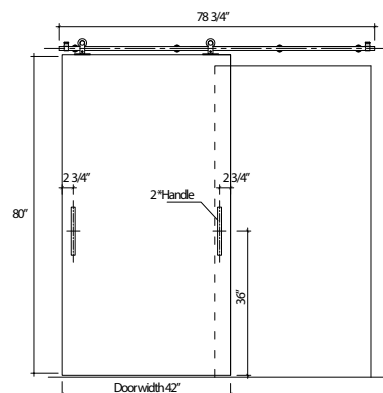


TECHNICAL SPECIFICATIONS

- **DIMENSIONS:**
Standard width: 36" to 38 1/2" ADA width: 42"
Standard height: 78" to 85" ADA height: 80"
- **THICKNESS:**
1 3/4" or 1 3/8"
- **MATERIAL:**
Solid Core
- **FINISH:**
Painted, laminated, & stained finishes available
*Other colors available upon request
- **DOOR DESIGN:**
Flush Door
- **BARN DOOR TRACK:**
Stainless steel customized top hung barn door hanger with tube track.
*Soft close standard
- **PULL AND HANDLE:**
Stainless steel flush pull (Standard)
Stainless steel bar handle (ADA)
- **LEAD TIME:**
16 weeks
- **WARRANTY:**
3 years



Front View Standard

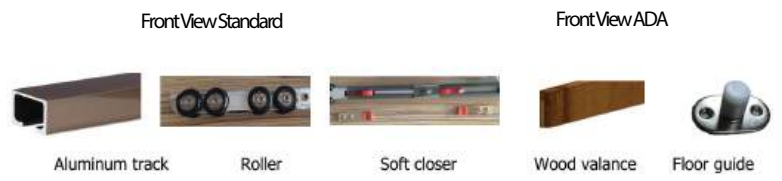
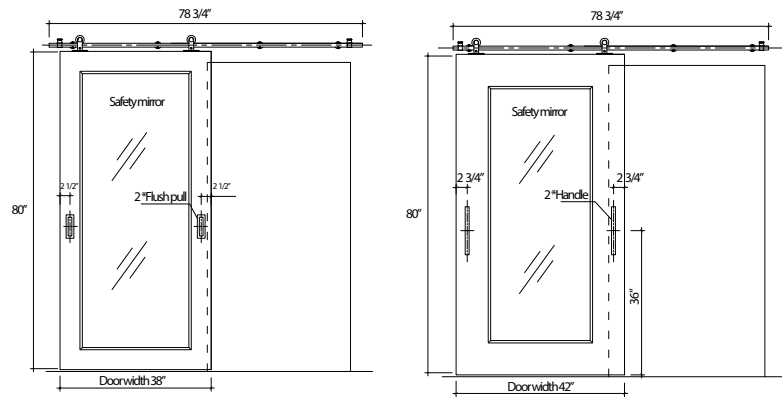


Front View ADA

SLIDING BARN DOOR
WALL MOUNTED

TECHNICAL SPECIFICATIONS

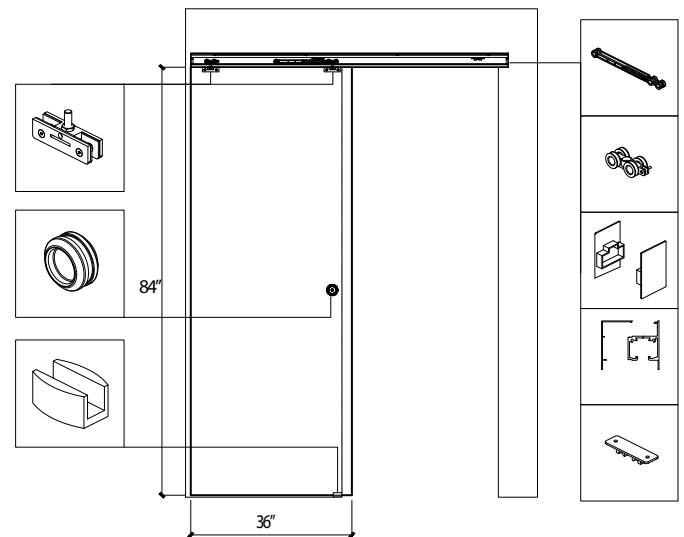
- DIMENSIONS:
 - Standard width: 36" to 38 1/2" ADA width: 42"
 - Standard height: 78" to 85" ADA height: 80"
- THICKNESS:
 - 1 3/4" or 1 3/8"
- MATERIAL:
 - Structural composite solid core
- FINISH:
 - 1/4" Painted white glass facing the guestroom.
 - Plastic laminate facing the bathroom.
 - *Option to have 1/4" painted glass facing both sides
- DOOR EDGE:
 - LVL Edge-banding for strong screw holding
- BARN DOOR TRACK:
 - Can be top mounted or wall mounted
 - Wood valance
 - Soft close standard
- HANDLE:
 - Stainless steel, copper core
 - Customized options available
 - Handle available in 12" or 24", customized options available
- LEAD TIME:
 - 16 weeks
- WARRANTY:
 - 3 years





TECHNICAL SPECIFICATIONS

- DIMENSIONS:
Width: 32" to 36"
Height: 84" to 95"
- THICKNESS:
10 mm (3/8")
- MATERIAL:
SGCC certified glass door
- FINISH:
Reeded frosted glass
Hardware in Chrome (can be customized)
Laminated glass option available
Valance available in brown, oak, and walnut colors
- BARN DOOR TRACK:
Hidden track with aluminum valance
- PULL AND HANDLE:
Finger Knob - 304 stainless steel
- LEAD TIME:
12 weeks



Front View Standard